



VERDANT JU 250

UHF SatCom Antenna

JU 250 is a broadband UHF SATCOM Antenna for airborne satellite communications. The antenna utilizes dual mode (high and low angle) to give good performance coverage across the hemisphere. The rugged design and construction of the antenna helps to withstand severe environmental conditions.

SPECIFICATIONS

ELECTRICAL

Frequency Range	High Angle: 240 MHz - 320 MHz Low Angle: 225 MHz - 400 MHz
VSWR	1.5:1 (High angle) 2.0:1 (Low angle)
Polarization	Vertical on low angle element RHCP on high angle element
Radiation Pattern	High Angle & Low Angle Pattern
Impedance	50 Ohms
Power RF	200 Watts CW

MECHANICAL

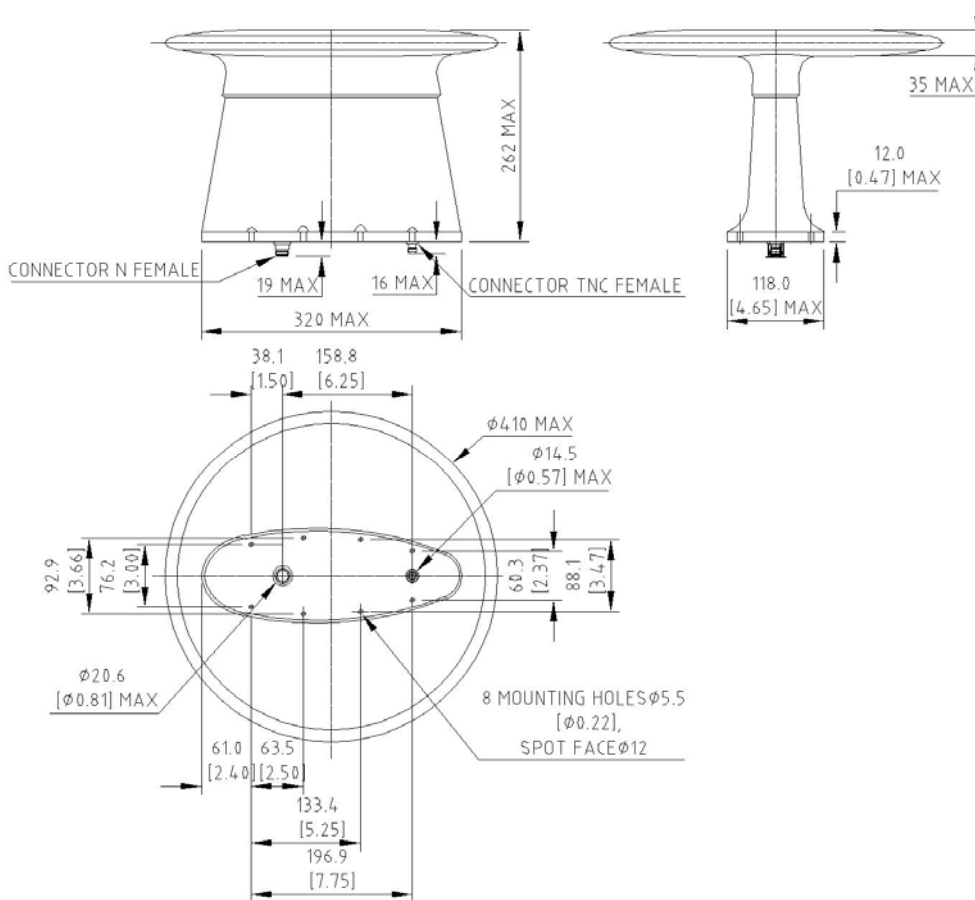
Weight	3500 grams (Max)
Height	260 mm (Max)
Material	Glass Epoxy
Finish	Gloss
Connector	N (female) - High angle TNC (female) - Low angle

ENVIRONMENTAL

Temperature	-54°C to +90°C
Altitude	50,000 feet

*Contact us for your customized requirements

Tests in accordance with MIL 810 F



Dimensions are in mm
Inches shown in bracket

0413 Rev 00

*All data contained herein is subject to change without notice



VERDANT TELEMETRY & ANTENNA SYSTEMS Pvt. Ltd.
COCHIN – 682013, INDIA.
Tel: +91-484-2663104 Fax: +91-484-2663576
e-mail: sales@verdanttelemetry.com
Website : www.verdanttelemetry.com

