

VERDANT JD CT 201

V/UHF Conformal Antenna

JD CT 201 is a broadband V/UHF Conformal Antenna for airborne communication. This antenna is specially designed to fit inside fin cap of LCA Tejas. The antenna offers exceptional performance in lower band without compromising performance in higher band.



SPECIFICATIONS

ELECTRICAL

Frequency Range	118 MHz - 174 MHz 225 MHz - 400 MHz
VSWR	2.5:1 (Max)
Polarization	Vertical
Radiation Pattern	Omnidirectional in azimuth
Impedance RF	50 Ω
Static Protection	DC Grounded
Power RF	100 W Peak; 30 W CW

MECHANICAL

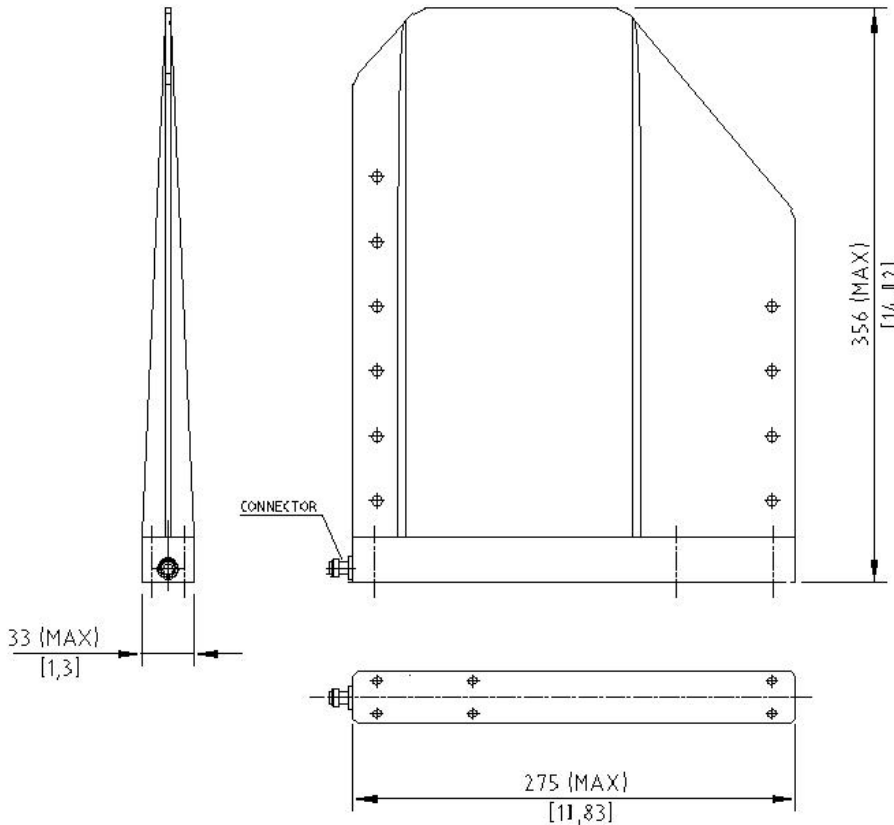
Weight	≤1000 grams (Max)
Height	355 mm (Max)
Material	Glass Epoxy
Finish	Gloss / Matt
Connector	TNC

ENVIRONMENTAL

Temperature	-55°C to +85°C
Altitude	60,000 feet

**Contact us for your customized requirements*

Tests in accordance with MIL 810 F



Dimensions are in mm
Inches shown in bracket

0413 Rev 00



VERDANT TELEMETRY & ANTENNA SYSTEMS Pvt. Ltd.
COCHIN – 682013, INDIA.
Tel: +91-484-2663104 Fax: +91-484-2663576
e-mail: sales@verdanttelemetry.com
Website : www.verdanttelemetry.com

**All data contained herein is subject to change without notice*

