



VERDANT JD 350 B

V/UHF/L - Band Blade Antenna

JD 350 B is a broadband (V/UHF/L-Band) low profile blade antenna from the 350 series, designed to be used with multi function communication systems. This antenna is designed as low profile, low drag blade suited for supersonic aircrafts, fixed wing aircrafts and helicopters. The single piece continuous fibre reinforced epoxy shell is designed to meet the stringent MIL requirements of high performance supersonic aircrafts.

SPECIFICATIONS

ELECTRICAL

Frequency Range	30 MHz – 410 MHz
VSWR	960 MHz -1240 MHz
	30 MHz -88 MHz - ≤3.0:1
	108 MHz -174 MHz - ≤2.5:1
	225 MHz - 410 MHz - ≤2.5:1
	960 MHz -1240 MHz - ≤2.0:1
Polarization	Vertical
Radiation Pattern	Omnidirectional in azimuth
Impedance RF	50 Ohms Nominal
Static Protection	DC Grounded
Power RF	50 W

MECHANICAL

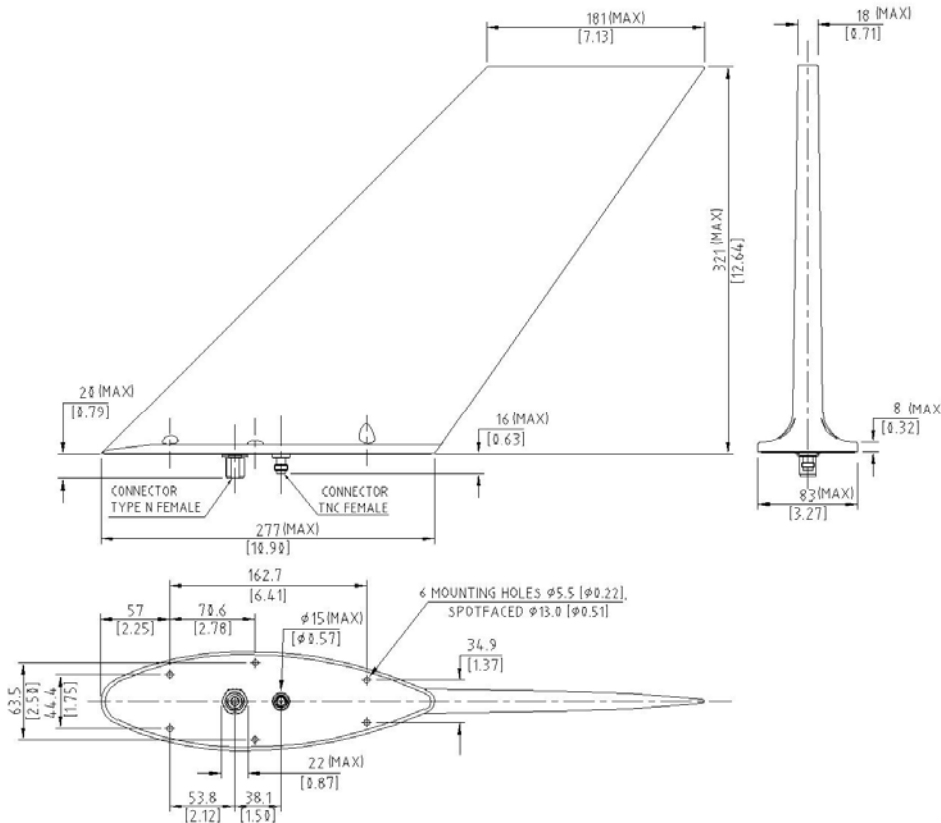
Weight	1300 grams (Max)
Height	320 mm (Max)
Material	Glass Epoxy
Finish	PU Gloss
Connector	TNC Female [V/UHF] N Female [L-Band]

ENVIRONMENTAL

Temperature	-54°C to +90°C
Altitude	60,000 feet

*Contact us for your customized requirements

Tests in accordance with MIL 810 F



Dimensions are in mm
Inches shown in bracket

0413 Rev 00



VERDANT TELEMETRY & ANTENNA SYSTEMS Pvt. Ltd.
COCHIN – 682013, INDIA.
Tel: +91-484-2663104 Fax: +91-484-2663576
e-mail: sales@verdanttelemetry.com
Website : www.verdanttelemetry.com

*All data contained herein is subject to change without notice

