

# VERDANT JD 300 L02

## VHF/UHF Top Loaded Blade Antenna

JD 300 L02 is a part of the new generation light weight antenna series, designed to be used with multi-function communication systems. This straight blade antenna has a wide base and is designed in a low weight, low profile and low drag configuration. The unique design offers substantial weight savings as opposed to other conventional straight blade antennas. The broadband antenna is ideally suitable for UAVs, fixed wing aircrafts and helicopters with payload weight restrictions. The fiber reinforced epoxy antenna shell is designed to meet stringent MIL requirements.



SPECIFICATIONS

**ELECTRICAL**

Frequency Range	30 MHz - 550 MHz
VSWR	2.7:1 (Max) [ 30 MHz – 150 MHz] 2.2:1 (Max) [ 150 MHz - 550 MHz] <1.8:1 (Typical) [Over the band]
Polarization	Vertical
Radiation Pattern	Omnidirectional in azimuth
Impedance RF	50 Ω
Static Protection	DC Grounded
Power RF	40W CW

**MECHANICAL**

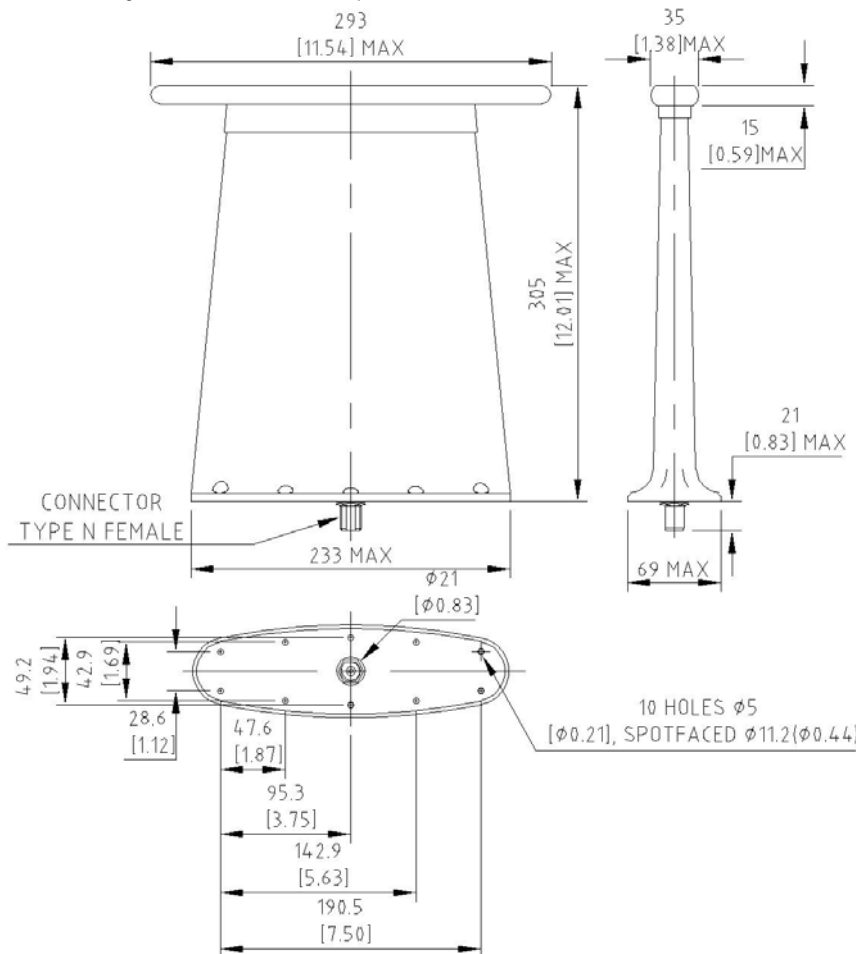
Weight	800 grams (Max)
Height	305 mm (Max)
Material	Glass Epoxy
Finish	Gloss
Connector	N Female

**ENVIRONMENTAL**

Temperature	-54°C to +90° C
Altitude	50,000 feet

\*Contact us for your customized requirements

Tests in accordance with MIL 810 D/E/F



Dimensions are in mm  
Inches shown in bracket

0413 Rev 00



VERDANT TELEMETRY & ANTENNA SYSTEMS Pvt. Ltd.  
COCHIN – 682013, INDIA.  
Tel: +91-484-2663104 Fax: +91-484-2663576  
e-mail: sales@verdanttelemetry.com  
Website : www.verdanttelemetry.com

\*All data contained herein is subject to change without notice

