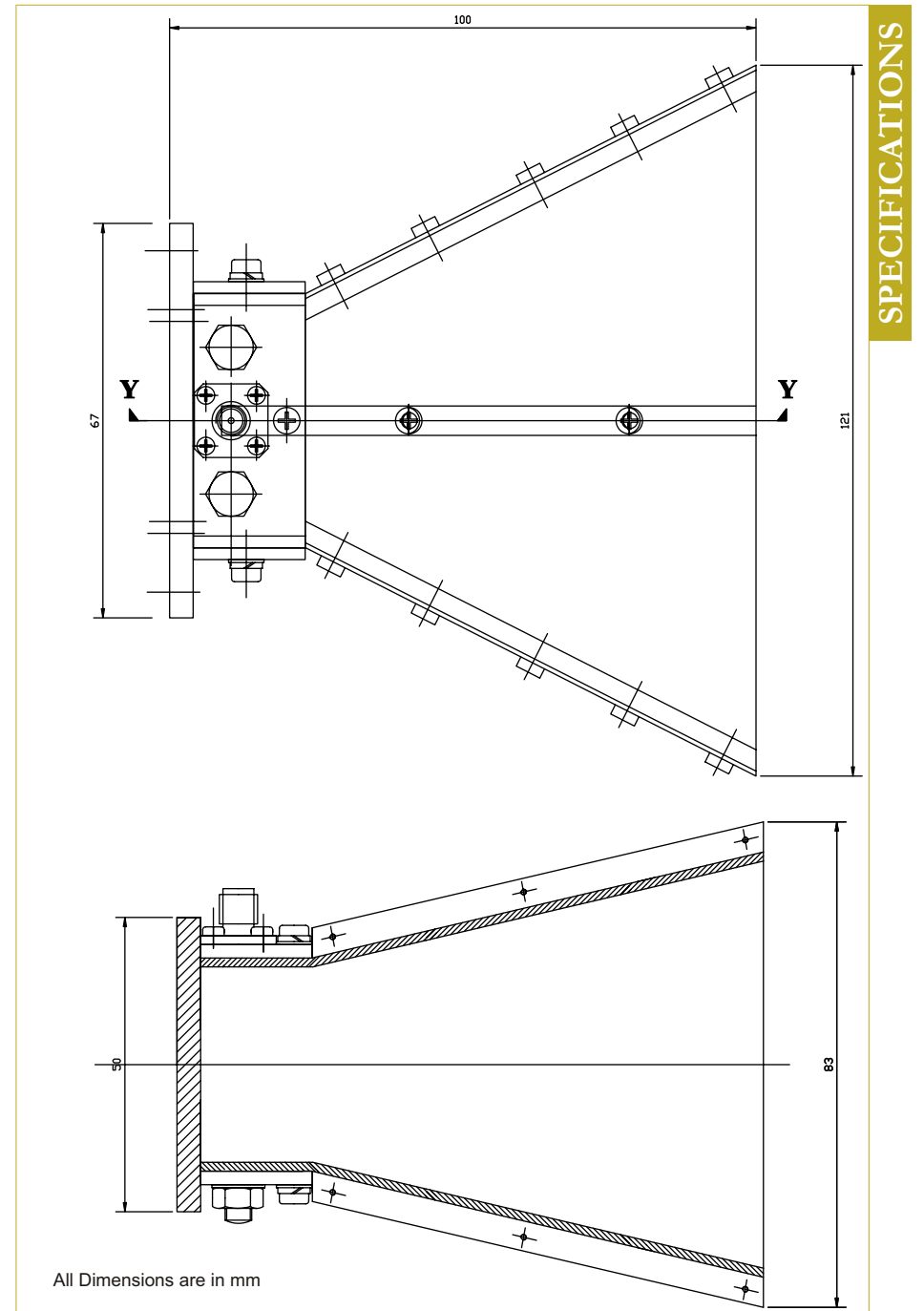


Broad Band Horn Antenna(Multi Octave Bandwidth).These broad band horns offer an excellent facility for electronic surveillance, EMI/RFI testing and materials evaluation.Versatile and highly-reliable, the antenna is a linearly polarised broadband unit designed to comply high quality standards.The design is rugged and corrosion-resistant, and can be used to receive and transmit.

ELECTRICAL		SPECIFICATIONS
Frequency Range	2 GHz to 18 GHz	
VSWR	3:1(Max)	
Polarisation	Linear	
Impedance RF	50 Ohms Nominal	
Power RF	100 W CW	
MECHANICAL		
Weight	300 grams	
Height	121 mm	
Connector	See Order Options	
ENVIRONMENTAL		
Temperature	-65 ° C to +90 ° C	
ORDER OPTIONS		
CONNECTOR		
SMA	Standard	

*Contact us for your customised requirements. Use customisation sheet at the end

All data contained herein is subject to change without notice



SPECIFICATIONS