

Broad Band Horn Antenna(Multi Octave Bandwidth) .These broad band horns offer an excellent facility for electronic surveillance, EMI/RFI testing and material evaluation. Versatile and highly-reliable, the 1GHz to 12GHz antenna is a linearly polarised broadband unit designed to comply high quality standards. The design is rugged and corrosion-resistant, and can be used to receive and transmit.

ELECTRICAL

Frequency Range	1 GHz to 12 GHz
VSWR	3:1(Max)
Polarisation	Linear
Impedence RF	50 Ohms Nominal
Power RF	100W CW

MECHANICAL

Weight	1650 grams
Height	245 mm
Connector	See Order Options

ENVIRONMENTAL

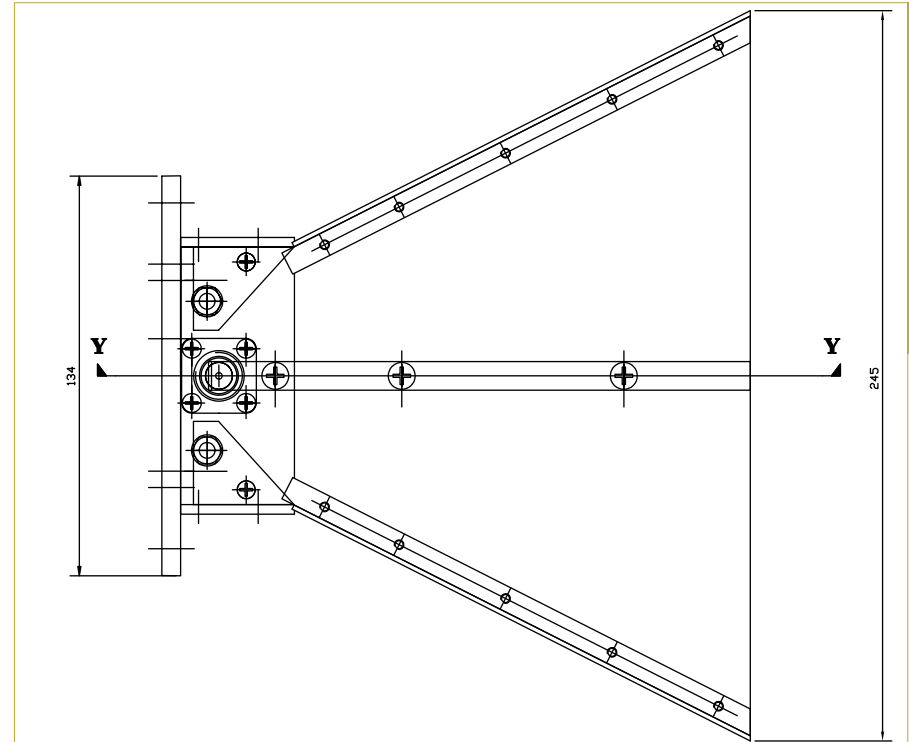
Temperature	-65° C to +90 ° C
-------------	-------------------

ORDER OPTIONS

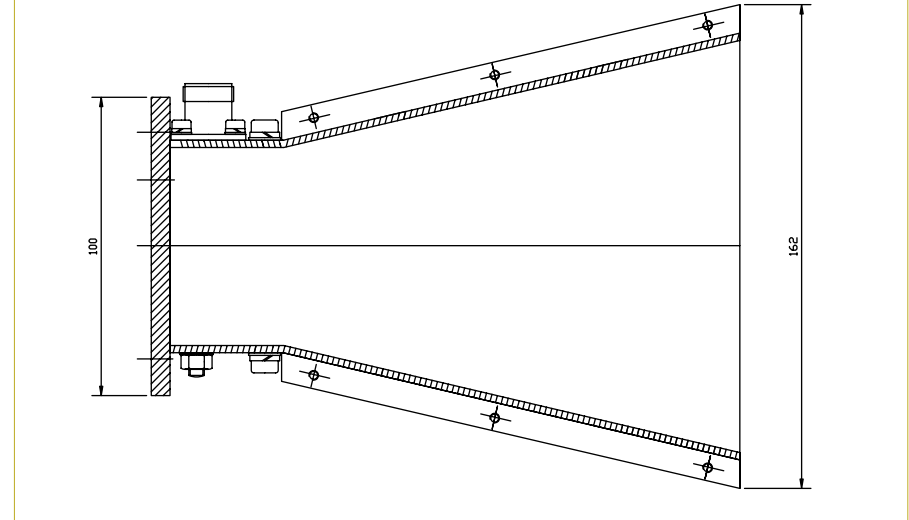
CONNECTOR

N	Standard
---	----------

SPECIFICATIONS



All Dimensions are in mm



SPECIFICATIONS

*Contact us for your customised requirements. Use customisation sheet at the end

All data contained herein is subject to change without notice